

# VALLEY design

## ERGOROUND SERIES

Perfect for those interested in a more cost-effective, height adjustable product, the ErgoRound Series offers a variety of bases with soft curves and subtle angles. Sophisticated in design, these products offer a welded steel foot and a round steel column. Their rounded corners, low profile foot, and the range of available options allow for easy adaptability into any space.

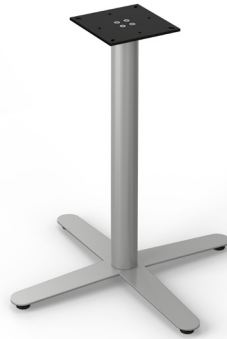
REMARKABLY  
cost-effective and **ADAPTABLE**



**FIXED HEIGHT  
END BASES**



**ADJUSTABLE  
HEIGHT  
END BASES**



**FIXED HEIGHT  
X-BASES**



**ADJUSTABLE  
HEIGHT  
X-BASES**

PARTNER AT YOUR TABLE

# ERGOROUND SERIES

## 602 Fixed Height End Bases

### ITEM INFORMATION

Item#	Foot Span	Recommended Max. Table Size	Mounting Plate	Price
FX2R7060222 P	22"	24" deep	12" x 15"	\$267
FX2R7060222CTP	22" CT	24" deep	12" x 15"	\$272
FX2R7060226P	26"	30" deep	12" x 15"	\$271
FX2R7060226CTP	26" CT	30" deep	12" x 15"	\$276

**NOTE: Model numbers include two bases per price/set.**



Shown above is item #FX2R7060222P

PRODUCT SPECS		
Base Height	27¼"	(with levelers and without table top)
Column	2.75"	diameter x 14 ga. round steel tube
Cantilever (CT)	Column is offset 3"	from center of foot
Main Bar/Foot	Laser cut and welded 7 ga. steel	
Levelers	⅝"-18 x ½"	long threaded stem with black nylon end
Mounting Plate	12" x 15", 7 ga. formed plate welded to 14 ga. channel	
Assembly Method	Set of four (4) 8mm bolts both at the top and bottom of each column	
Shipped	All components included for one table with two bases	Not assembled

### AVAILABLE OPTIONS

- Casters +\$48
- Genu-Flip +\$255
- Nester +\$293
- Wire Access Holes +\$12 per hole
- Custom Height +\$45
- Wire Management Door +\$90

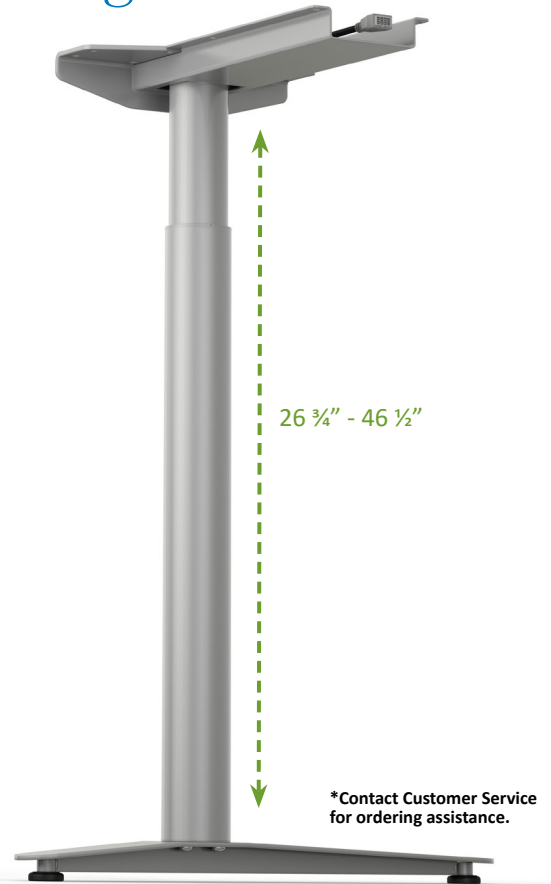
# ERGOROUND SERIES

## 602 Motor Adjustable Height End Bases

### ITEM INFORMATION

Item#	Foot Span	Recommended Max. Table Size	Mounting Plate	Price
MME2R7060222P	22"	24" deep	12" x 15"	\$1,033
MME2R7060222CTP	22" CT	24" deep	12" x 15"	\$1,038
MME2R7060226P	26"	30" deep	12" x 15"	\$1,037
MME2R7060226CTP	26" CT	30" deep	12" x 15"	\$1,042

**NOTE: Model numbers include two bases with basic up/down switch per price. Bases offered ONLY in Silver or Black color options.**



Shown above is item #MME2R7060222CTP

PRODUCT SPECS		
Base Height Adjustment Range	26 <sup>3</sup> / <sub>4</sub> "-46 <sup>1</sup> / <sub>2</sub> " (with levelers and without table top)	
Column, Lower Outer	2.76" (70 mm) diameter x 0.079" (2 mm) round steel tube	
Column, Upper Inner	2.48" (63 mm) diameter x 0.079" (2 mm) round steel tube	
Cantilever (CT)	Column is offset 3" from center of foot	
Main Bar/Foot	Laser cut and welded 7 ga. steel	
Leveler	5/16"-18 x 1/2" long threaded stem with black nylon end	
Mounting Plate	12" x 15", 7 ga. formed plate welded to 14 ga. channel	
Assembly Method	Set of four (4) 8mm bolts both at the top and bottom of each column	
Shipped	All components included for one table with two bases Not assembled	

**Please contact Customer Service for assistance before placing your orders.**

The pneumatic and electric height adjustable options require a higher level of product understanding, installation and product knowledge.

# ERGOROUND SERIES

## 612 Fixed Height X-Bases

### ITEM INFORMATION

Item#	Foot Span	Recommended Max. Table Size	Mounting Plate	Price
FX1R7061222P	22"	30" D, 24" x 24"	8" x 8"	\$218
FX1R7061226P	26"	36" D, 30" x 30"	8" x 8"	\$220
FX1R4.061230P	30"	42" D, 36" x 36"	12" x 12"	\$265
FX1R4.061234P	34"	48" D, 42" x 42"	12" x 12"	\$276



Shown above is item #FX1R7061226P

PRODUCT SPECS	Base Height	27 <sup>3</sup> / <sub>4</sub> " (with levelers and without table top)
	Column (on 22" and 26")	2 <sup>3</sup> / <sub>4</sub> " diameter x 14 ga. round steel tube
	Column (on 30" and 34")	4" diameter x 14 ga. round steel tube
	Main Bar/Foot	Laser cut and welded 7 ga. steel
	Leveler	5/16"-18" x 1/2" long threaded stem with black nylon end
	Mounting Plate	For 22" and 26" - 8" x 8", 1/4" steel mounting plate For 30" and 34" - 12" x 12", 1/4" steel mounting plate
	Assembly Method	Set of four (4) 8mm bolts both at the top and bottom of each column
	Shipped	All components included for one table Not assembled

### AVAILABLE OPTIONS

- Casters +\$48
- Genu-Flip +\$118
- Flip Top +\$88
- Wire Access Holes +\$12
- Wire Management Door +\$90
- Custom Height +\$45

# ERGOROUND SERIES

## 612 Adjustable Height X-Bases

### ADJUSTMENT OPTIONS

**LG – Glides**  
450 mm (17.75") Range

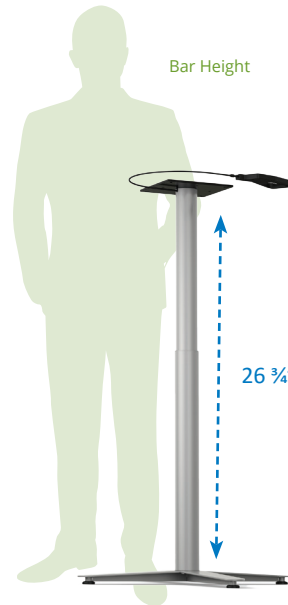
**LS – Short Stroke**  
250 mm (9.84") Range

### ITEM INFORMATION

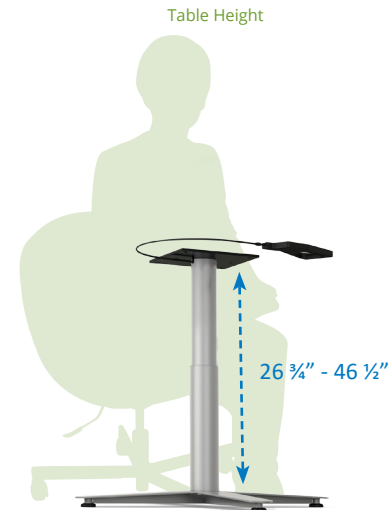
Item#	Foot Span	Recommended Max. Table Size	Mounting Plate	Price
LG1R7061222P	22"	30" D, 24" x 24"	8" x 8"	\$521
LG1R7061226P	26"	36" D, 30" x 30"	8" x 8"	\$523
LS1R7061222P	22"	30" D, 24" x 24"	8" x 8"	\$521
LS1R7061226P	26"	36" D, 30" x 30"	8" x 8"	\$523

### AVAILABLE LIFT RATINGS

Specify	Pound Equivalent	Lift Range
150 N	33 lbs.	21-31 lbs.
200 N	44 lbs.	32-42 lbs.



Shown above is item #LG1R7061226P



Shown above is item #LS1R7061226P

### PRODUCT SPECS

Base Height Adjustment Range	(LG) 26 <sup>3</sup> / <sub>4</sub> "-44 <sup>1</sup> / <sub>2</sub> " (with levelers and without table top) (LS) 18 <sup>3</sup> / <sub>4</sub> "-28 <sup>3</sup> / <sub>4</sub> " (with levelers and without table top)
Column, Lower Outer	2.76" (70 mm) diameter x 0.079" (2 mm) round steel tube
Column, Upper Inner	2.48" (63 mm) diameter x 0.079" (2 mm) round steel tube
Main Bar/Foot	Laser cut and welded 7 ga. steel
Leveler	<sup>5</sup> / <sub>16</sub> "-18"x <sup>1</sup> / <sub>2</sub> " long threaded stem with black nylon end
Mounting Plate	8" x 8", <sup>1</sup> / <sub>4</sub> " steel mounting plate
Assembly Method	Set of four (4) 8mm bolts both at the top and bottom of each column
Shipped	All components included for one table Not assembled

### AVAILABLE OPTIONS

- Casters (will increase height by 2") +\$48

### Please contact Customer Service for assistance before placing your orders.

The pneumatic and electric height adjustable options require a higher level of product understanding, installation and product knowledge. **Caution should be taken at all times when assembling adjustable height products.** There are warning labels and tags on items that require close attention. Please follow all assembly instructions and warnings when unpacking and assembling adjustable height productions. Miss-use or improper handling of product will result in voiding of Valley Design warranty and possible injury to assembler/end-user. Valley Design does not hold responsibility for any damage to product due to miss-use, lack of attention to instructions.

# ERGOROUND SERIES

## 612 Adjustable Height X-Bases

### ADJUSTMENT OPTIONS

LR – Rollers

500 mm (19.69") Range

LS – Short Stroke

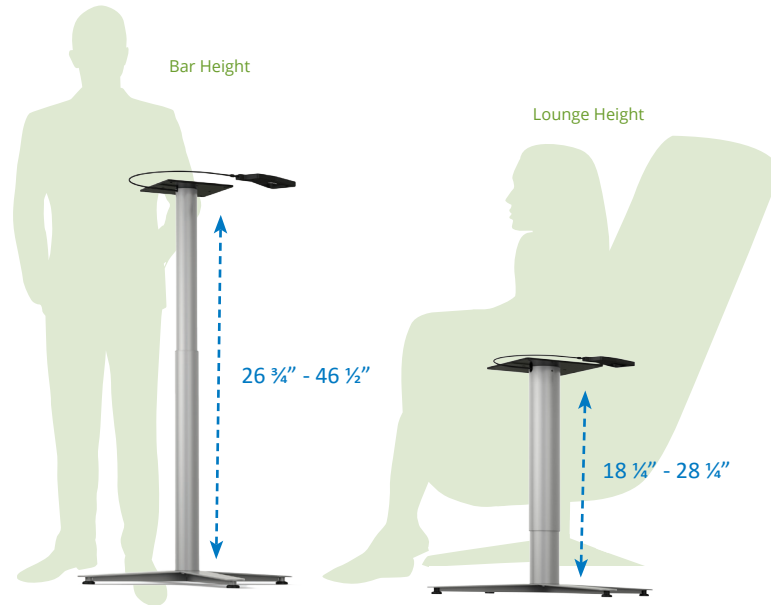
250 mm (9.84") Range

### ITEM INFORMATION

Item#	Foot Span	Recommended Max. Table Size	Mounting Plate	Price
LR1R4.061230P	30"	42" D, 36" x 36"	12" x 12"	\$740
LR1R4.061234P	34"	48" D, 42" x 42"	12" x 12"	\$751
LS1R4.061230P	30"	42" D, 36" x 36"	12" x 12"	\$740
LS1R4.061234P	34"	48" D, 42" x 42"	12" x 12"	\$751

### AVAILABLE LIFT RATINGS

Specify	Pound Equivalent	Lift Range
200 N	44 lbs.	22-32 lbs.
250 N	55 lbs.	33-43 lbs.
300 N	66 lbs.	44-54 lbs.



Shown above is item #LR1R4.061230P

Shown above is item #LS1R4.061230P

### PRODUCT SPECS

Base Height Adjustment Range	LR: 26 <sup>3</sup> / <sub>4</sub> "-46 <sup>1</sup> / <sub>2</sub> " (with levelers and without table top) LS: 18 <sup>1</sup> / <sub>4</sub> "-28 <sup>1</sup> / <sub>4</sub> " (with levelers and without table top)
Column, Lower Inner	4" diameter x 14 ga. round steel tube
Column, Upper Outer	4 <sup>1</sup> / <sub>4</sub> " diameter x 14 ga. round steel tube
Main Bar/Foot	Laser cut and welded 7 ga. steel
Leveler	<sup>5</sup> / <sub>16</sub> "-18" x <sup>1</sup> / <sub>2</sub> " long threaded stem with black nylon end
Mounting Plate	12" x 12", <sup>1</sup> / <sub>4</sub> " steel mounting plate
Assembly Method	Set of four (4) 8mm bolts both at the top and bottom of each column
Shipped	All components included for one table Not assembled

### AVAILABLE OPTIONS

- Casters (will increase height by 2") +\$48

### Please contact Customer Service for assistance before placing your orders.

The pneumatic and electric height adjustable options require a higher level of product understanding, installation and product knowledge. **Caution should be taken at all times when assembling adjustable height products.** There are warning labels and tags on items that require close attention. Please follow all assembly instructions and warnings when unpacking and assembling adjustable height productions. Miss-use or improper handling of product will result in voiding of Valley Design warranty and possible injury to assembler/end-user. Valley Design does not hold responsibility for any damage to product due to miss-use, lack of attention to instructions.