

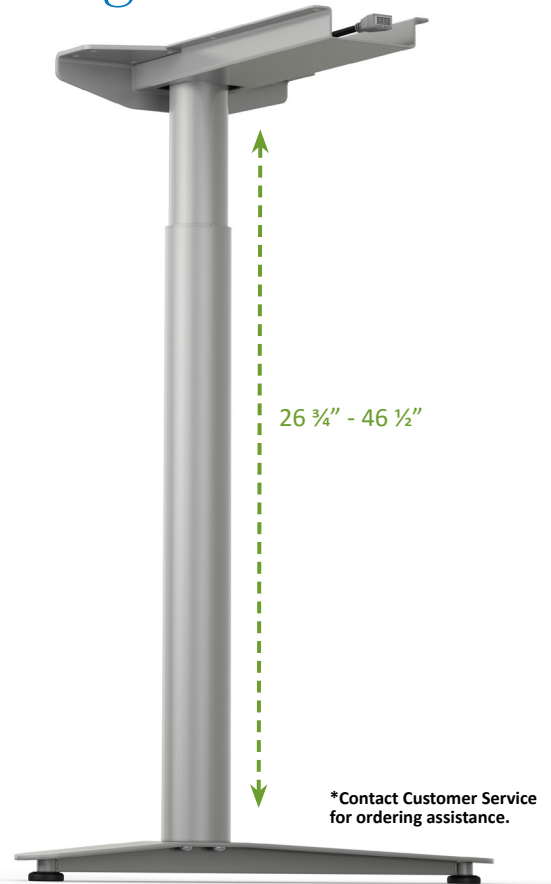
ERGOROUND SERIES

602 Motor Adjustable Height End Bases

ITEM INFORMATION

Item#	Foot Span	Recommended Max. Table Size	Mounting Plate	Price
MME2R7060222P	22"	24" deep	12" x 15"	\$1,033
MME2R7060222CTP	22" CT	24" deep	12" x 15"	\$1,038
MME2R7060226P	26"	30" deep	12" x 15"	\$1,037
MME2R7060226CTP	26" CT	30" deep	12" x 15"	\$1,042

NOTE: Model numbers include two bases with basic up/down switch per price. Bases offered ONLY in Silver or Black color options.



Shown above is item #MME2R7060222CTP

PRODUCT SPECS		
Base Height Adjustment Range		26 ³ / ₄ "-46 ¹ / ₂ " (with levelers and without table top)
Column, Lower Outer		2.76" (70 mm) diameter x 0.079" (2 mm) round steel tube
Column, Upper Inner		2.48" (63 mm) diameter x 0.079" (2 mm) round steel tube
Cantilever (CT)		Column is offset 3" from center of foot
Main Bar/Foot		Laser cut and welded 7 ga. steel
Leveler		5/16"-18 x 1/2" long threaded stem with black nylon end
Mounting Plate		12" x 15", 7 ga. formed plate welded to 14 ga. channel
Assembly Method		Set of four (4) 8mm bolts both at the top and bottom of each column
Shipped		All components included for one table with two bases Not assembled

Please contact Customer Service for assistance before placing your orders.

The pneumatic and electric height adjustable options require a higher level of product understanding, installation and product knowledge.